

本说明书中的技术参数如有更改,恕不另行通知!
The technical specifications in this instruction are subject to change without notice!



浙江久鼎自控设备有限公司

ZHEJIANG JIUDING AUTOMATIC CONTROL EQUIPMENT CO., LTD.

JDZ SERIES STRAIGHT STROKE
PNEUMATIC ACTUATOR

JDZ 系列直行程气动执行机构



浙江久鼎自控设备有限公司

ZHEJIANG JIUDING AUTOMATIC CONTROL EQUIPMENT CO., LTD.

联系地址: 浙江省温州市永嘉县瓯北街道和一村
联系电话: 0577-67327800 67327277 67327801
传真号码: 0577-67327802
企业网址: www.jdacv.com
电子邮箱: jdzksb@163.com

Contact address: Heyi Village, Oubei Sub-District,
Yongjia County, Wenzhou, Zhejiang
Contact number: 0577-67327800 67327277 67327801
Fax number: 0577-67327802
<http://www.jdacv.com>
E-mail: jdzksb@163.com

关于久鼎

浙江久鼎自控设备有限公司专业生产制造气动执行器、电动执行器、液动执行器、电动阀、气动阀门（气动蝶阀、气动球阀）、液动阀、调节阀、以及各类工业阀门等各种规格各种系列的自控阀门。

浙江久鼎自控设备有限公司位于“中国泵阀之乡”——浙江省温州市永嘉县瓯北街道一村(温州华鑫贸易有限公司内)，公司将时刻保持以崭新的面貌、全新的理念，不断改革与创新，设计制造出更新更多更好的产品回馈广大用户。面对新的市场竞争态势和全球经济一体化的格局，久鼎自控将秉承“素质决定实力”的发展理念，坚持“诚信为本，信守一言九鼎的承诺，勇于创新，锐意进取，稳健发展”的经营方针，大力推进技术创新，资本运营，国际化拓展三大战略，全面推动久鼎自控由传统企业向高新技术产业转型，尊重知识人才，构筑一种奋发向上，团结拼搏的“久鼎”人文精神，全力打造“实力型企业”争创久鼎自控全新辉煌。

浙江久鼎自控设备有限公司主要生产制造气动阀门、气动蝶阀、气动球阀、以及各类工业阀门等各种规格各种系列的自控阀门。力争在石油、化工、冶金、电力、建筑、热力、给排水、水处理等行业具有较高的知名度及影响力，不断以科技创新，努力开发以国代进，主要按中国GB、JB、美标API、ANSI、英国BS、德标DIN、法国NF、日本JIS、JPI标准生产。并可根据用户特殊要求冶炼和制造。产品广泛用于化工、水处理设备，化肥、冶金、制药、电力、石化引进装置中的阀门配套，产品畅销全国各地，并筹备远销中东、东南亚、欧美等各个发达国家和地区。欢迎来电咨询、订购。

千里之行，始于足下，美誉之声，源于服务。久鼎自控的产品已遍布大江南北，不断演绎与众不同的“久鼎自控”佳作。实施精品战略，创品牌效益，以求实的精神，优质的产品，更完善的售后服务，让所有使用“久鼎”品牌的用户紧密相连，携手共创美好未来。



www.jdacv.com

About JiuDing

Jiuding Automation Equipment Co., Ltd. specializing in the production of pneumatic actuator, electric actuator, hydraulic actuator, electric valve, pneumatic valve manufacturing (gas pneumatic butterfly valve, pneumatic ball valve), hydraulic valve, regulating valve, automatic control valve and all kinds of industrial valves and other various specifications of the various series.

Jiuding Automation Equipment Co., Ltd. is located in "China valve village" - Oubei Town Code No. 62 North Road (next to the building, pump technology) company will keep with a new look, new ideas, continuous reform and innovation, design and produce more and better products to update the users feedback. Facing the new market competition and the pattern of global economic integration, Jiuding automation will be adhering to the "development concept of quality decision power", adhere to the "integrity-based, authoritative, abide by the commitment, innovation, forge ahead, steady development" policy, vigorously promote technological innovation, capital operation, internationalization development strategy three promote the transformation from the traditional enterprise Jiuding automation to high-tech industry, respect knowledge talent, build an uplifting, unity and hard work of the "Jiuding" humanistic spirit, to create "strength of enterprises" striving for the new brilliant Jiuding automatic control.

Jiuding Automatic Control Equipment Co., Ltd. mainly produces pneumatic valves, pneumatic butterfly valves, pneumatic ball valves, and various industrial valves and other specifications of a variety of series of automatic control valves. Strive in the petroleum and chemical industry, metallurgy, electric power, building, heating, water supply and drainage, water treatment and other industries with high visibility and influence, continuous innovation in science and technology, and strive to develop the country generation, mainly by Chinese GB, JB, API, ANSI American Standard, British BS, German standard DIN, France, NF Japan JIS, JPI standard production. And, according to the special requirements of users smelting and manufacturing. The products are widely used in chemical industry, water treatment equipment, fertilizer, metallurgy, power, pharmaceutical, petrochemical introduction of the valve device ancillary products sold throughout the country and exported to the Middle East, Southeast Asia, Europe and the United States for all developed countries and regions. Welcome to inquire, order.

久鼎自控
JIUDING AUTOMATIC CONTROL



The longest journey begins with the first step, the reputation of sound source in service. Jiu Ding automatic control products have been all over the north and south, continue to deduce a unique "Jiu Ding Automatic Control" masterpiece. The implementation of boutique strategy, create brand benefits, with the spirit of truth-seeking, quality products, more perfect after-sales service, so that all users using "JIU DING" brand closely linked to join hands in creating a better future.

千里之行，始于足下，
美誉之声，源于服务。

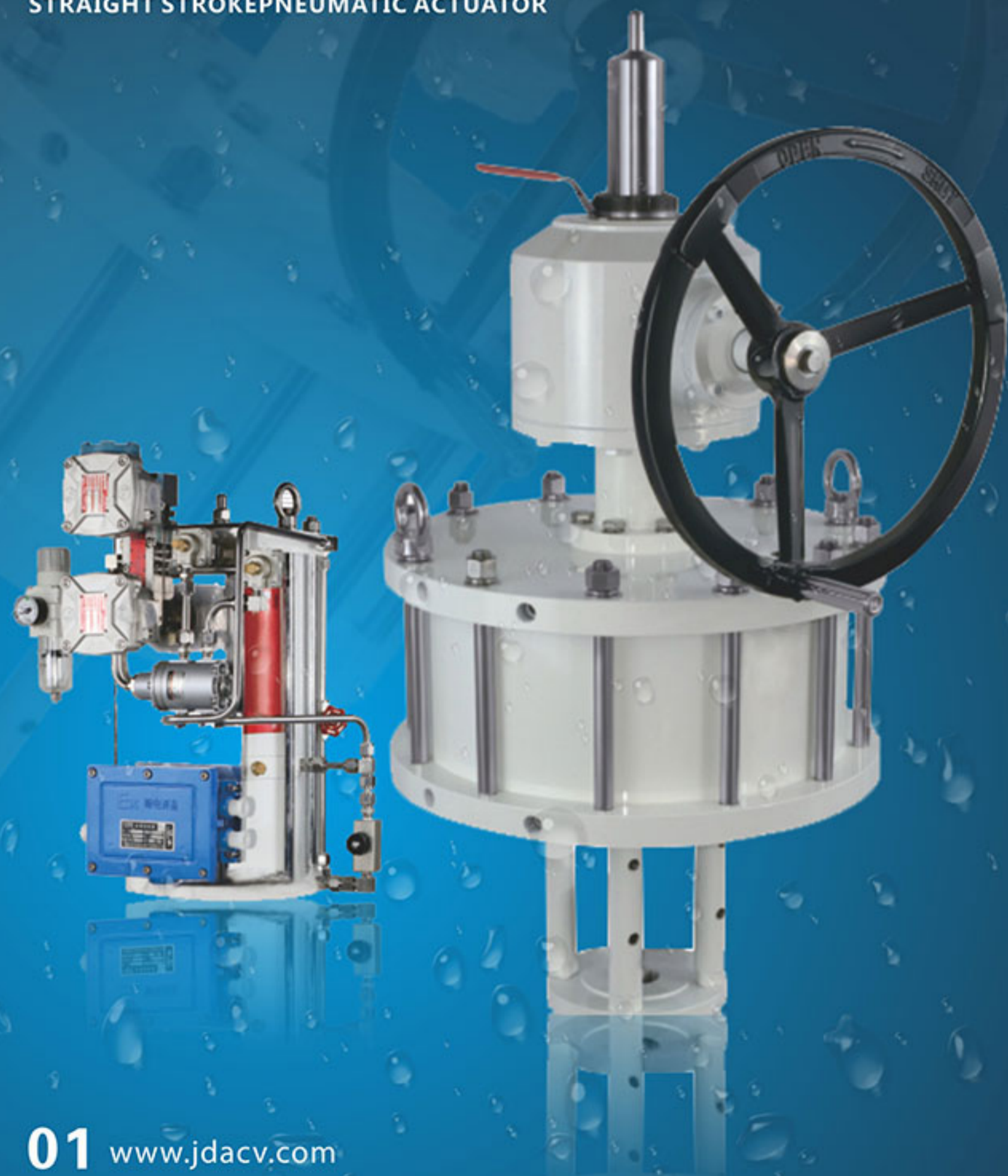
The Longest Journey Begins
With The First Step,
The Reputation Of Sound
Source In Service

JDZ 系列

直行程气动执行机构

JDZ SERIES

STRAIGHT STROKE PNEUMATIC ACTUATOR

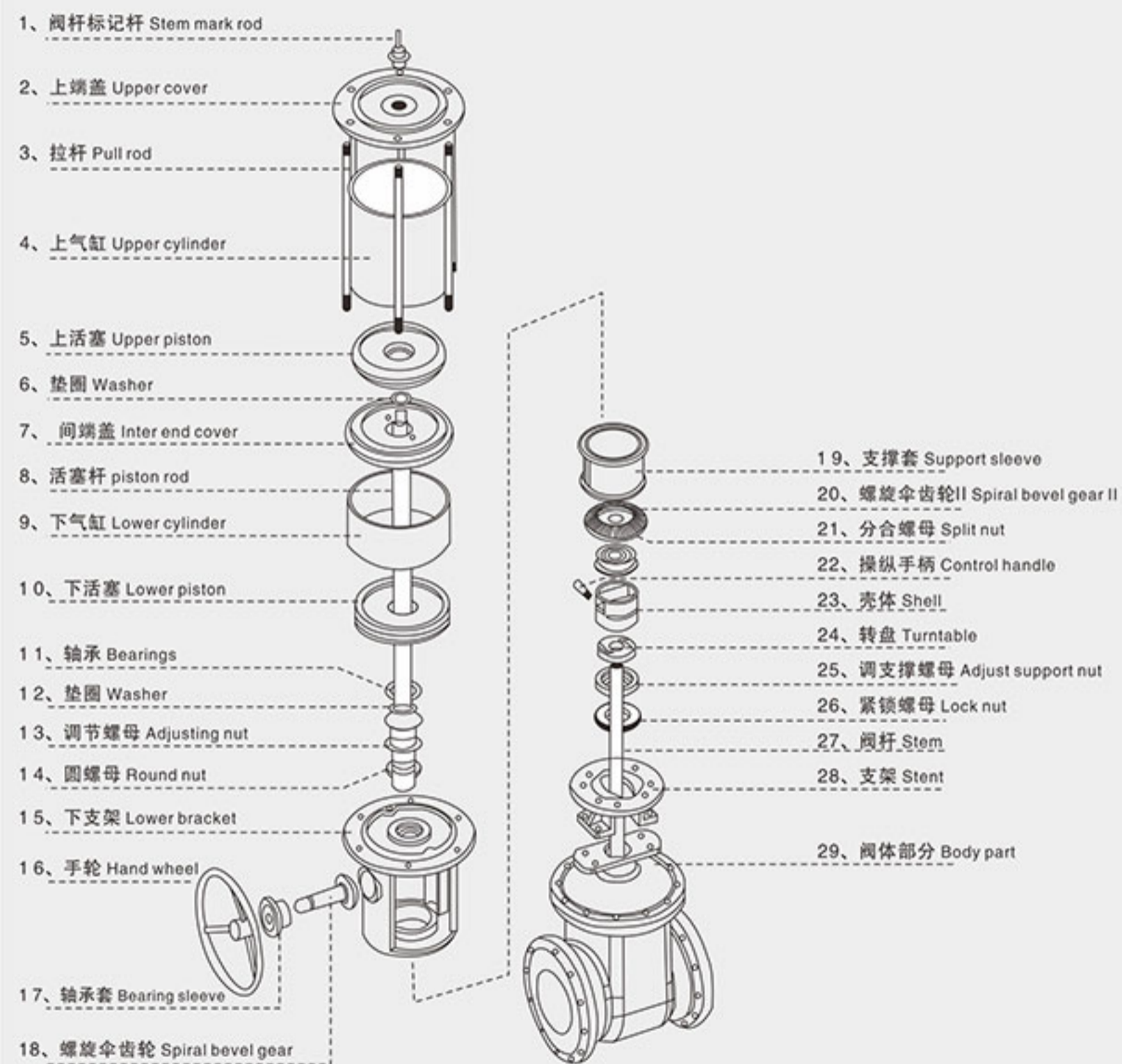


01 www.jdacv.com

JDZ 系列直行程气动执行机构
JDZ Series Straight Stroke Pneumatic Actuator



■ 结构形式 Structural Style





■ 工作原理 Working Principle

JDZ系列直行程气动执行机构严格按照质量标准制造，确保使用的可靠性和安全性，该样本列出了标准型号的产品，旨在涵盖范围广泛的应用系列，同时可以根据用户需求进行设计制造。

JDZ型系列阀门气动执行机构以0.4~0.6MPa(表压)净化压缩空气为工作动力，推动活塞，带动阀门闸板做垂直于流体的线性运动从而实现调节、开启和关闭阀门的目的，JDZ型系列执行机构适用于大多数类型的楔形闸阀、平板闸阀、刀闸阀、截止阀、放料阀、轨道球阀和轨道旋塞阀等。

JDZ series straight stroke pneumatic actuators are manufactured in strict accordance with the quality standards to ensure the reliability and safety of the use. This sample lists the standard models of products, designed to cover a wide range of applications, and can be designed and manufactured according to user needs.

JDZ series valve pneumatic actuator with 0.4~0.6MPa (g) purification of compressed air for the work force, push the piston to drive the valve gate linear motion perpendicular to the fluid so as to realize the regulation, opening and closing of the valve. JDZ series actuator is applicable to all types of wedge gate valve, flat gate valve, knife gate valve and the cut-off valve, discharge valve, ball valves and plug valves and other rail track.

以JDZ型系列双作用双活塞气动执行机构为例，此气动执行机构采用双层气缸和缓冲机构的工作原理，配合闸阀工作的四个阶段分述如下：(附原理图1、2、3、4)

Taking JDZ series double acting double piston pneumatic actuator as an example, the pneumatic actuator adopts the working principle of double cylinder and buffer mechanism, and the four stages of valve work are as follows: (schematic diagram 1, 2, 3, 4)

1. 闸阀开启前阶段：上层气缸的活塞（以下简称上活塞）和下层气缸的活塞（以下简称下活塞）同时受力，阀杆在上、下活塞的推动下，以单活塞近二倍的提升力，克服闸板密封面和阀体密封面之间的最大静摩擦力，带动闸板上升。压缩空气由上层气缸的下气室，经由设置在隔板的特定通道，通过连通管，到达下层气缸的下气室，推动上下活塞同时工作。下气缸上气室中的气体，经过设置在隔板内的另一特定通道，畅通无阻地排出气缸体外。

2. 闸阀开启的后阶段：在闸板稍稍开启以后，下活塞就运行到了上死点并停止运动，闸板在上活塞的带动下，继续提升，直至到了全开位置。

3. 闸阀关闭的前阶段：在上活塞的推动下，闸板离开全开位置，开始下降。

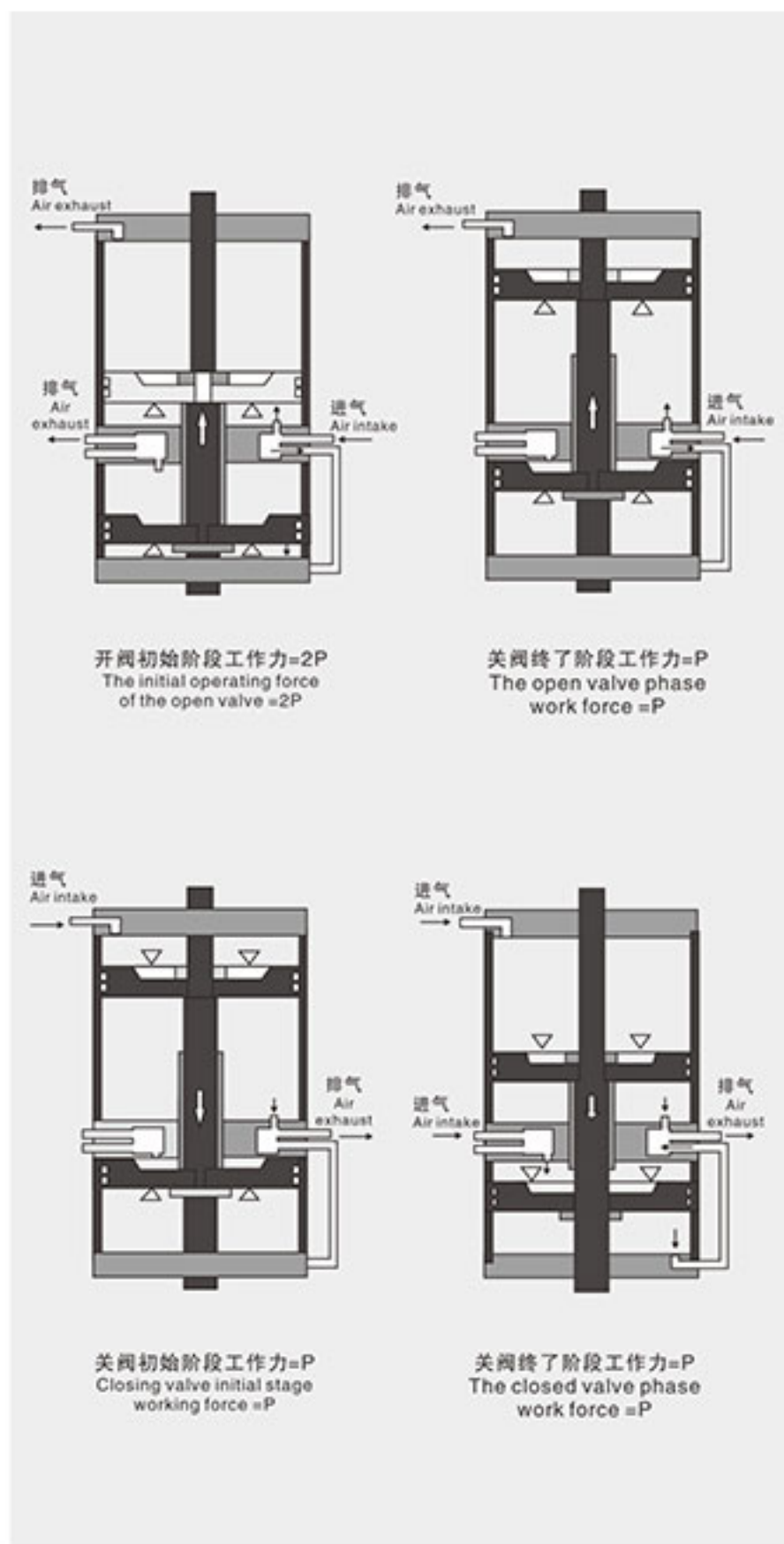
4. 闸阀关闭的后阶段：当上活塞碰到下活塞凸台，并带动下活塞一起继续下降时，由于下气缸上气室的进气通道和下气缸下气室的排气通道设有阻碍，明显地减慢了下降的速度，进至闸板下降到了全关位置。闸板缓冲下行不但避免了闸板关得过紧，同时，还保护了密封面，免受猛烈冲击而损坏。

1. Stage: the upper valve opens before the piston of the cylinder (hereinafter referred to as the piston and the lower piston) of the cylinder (hereinafter referred to as the piston) force at the same time, promote the stem of the upper and lower piston, piston to nearly two times the lifting force, overcome the maximum static friction of the valve plate sealing surface and the sealing surface of the valve body. The gate drive up. The compressed air is made up of the lower air chamber of the upper cylinder and is connected to the lower air chamber of the lower cylinder through the connecting pipe through the specific channel provided by the clapboard, so as to push the upper and lower pistons to work simultaneously. The gas in the air chamber of the lower cylinder passes through another specific channel in the separator. Unimpeded discharge of cylinders in vitro.

2. Valve opening in the later stage: after the gate is slightly opened, the lower piston will run to the top dead center and stop moving, the gate under the drive of the piston, continue to ascend, until the full open position.

3. Gate valve closed in the first stage: under the push of the upper piston, the gate from the full open position, began to decline.

4. Stage valve off: when the piston piston boss hit, and driven by the piston continues to decline, due to the exhaust passage inlet passage under the cylinder chamber and the cylinder gas chamber is provided with a block, clearly slowed down the speed, to the gate down to the fully closed position. The gate buffer not only prevents the valve plate from closing too tightly, but also protects the sealing surface from damage caused by heavy shock.



■ 结构特点 Structure Characteristics

■ 功能强大 Powerful

久鼎自控可提供不同型号的JDZ系列气动执行机构满足客户的个性化需求，也能为客户专业化定制全套工程解决方案，气动阀门系列成套设备可以配用阀位回讯器、阀门定位器、电磁阀、气源处理器、气/手动切换机构、液压组件、储气罐等附件满足现场工况需要，并可实现阀门的远程控制、多台集中控制等操作。

JUJING automatic control can provide different types of JDZ series pneumatic actuators meet the personalized needs of customers, can also be customized for clients to solve the full set of professional engineering programs, pneumatic valve series of complete sets of equipment can be equipped with valve position, the valve positioner, solenoid valve, gas processing device, gas / manual switching mechanism, hydraulic component, gas tank and other accessories to meet the needs of field conditions, remote control, and can realize the multi station centralized control valve operation.

■ 安全可靠 Safe and Reliable

JDZ系列的部分气动执行机构的防护等级符合IP65标准(防尘、防水)。当气动执行机构配用气/手动切换机构时，现场出现断气断电或电磁阀极其控制电路发生故障时，都可十分方便地转动操作手柄，迅速地进行由气动至手动的操作方式的转换，保证线路正常运行，避免事故发生，同时在新建工程的自控系统未完成之前，本系列产品可以可靠地作为手动阀门使用。

JDZ series of pneumatic actuator protection level in line with the IP65 standard (dust, waterproof). When the pneumatic actuator is equipped with gas/manual switching mechanism, the scene to snuff out the power down or the solenoid valve control circuit is at fault, can conveniently rotate the operating handle, quickly converted from pneumatic to manual mode of operation, to ensure the normal operation of the line, to avoid accidents, at the same time before the automatic control system the new project is not completed, this series of products can be reliably used as a manual valve.

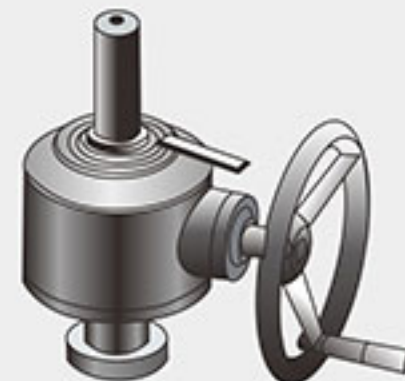
■ 标准化 Standardization

久鼎自控为了扩大直行程气动执行机构的市场通用化程度，方便产品的安装使用及售后服务，本公司根据多年的市场数据分析、致力于将直行程气动执行机构系列产品实现市场标准化，通过简化产品品种、加快产品设计和生产准备过程，保证和提高产品及工程质量，扩大零部件的互换性，降低产品和工程成本，为客户提供质量卓越、价格实惠的产品。本产品连接尺寸符合ISO5211国际标准。

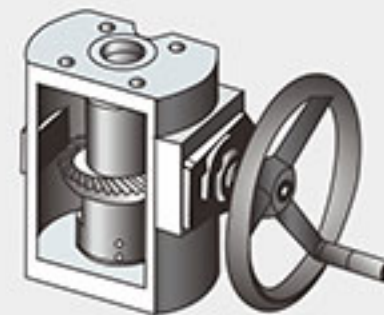
JUJING automatic control in order to expand the straight stroke pneumatic actuators market universal degree, convenient installation and use of the product and customer service service, the company based on market data analysis for many years, is committed to the straight stroke pneumatic actuator series of products to achieve market standardization, by simplifying the product variety, accelerate product design and production preparation process. To ensure and improve the product quality and engineering, expand the interchangeability of parts, reduce the cost of products and projects, provide excellent quality, affordable products for customers. The dimension of the product conforms to ISO5211 international standard.



顶装手动机构TM2
Top mounted manual mechanism TM2



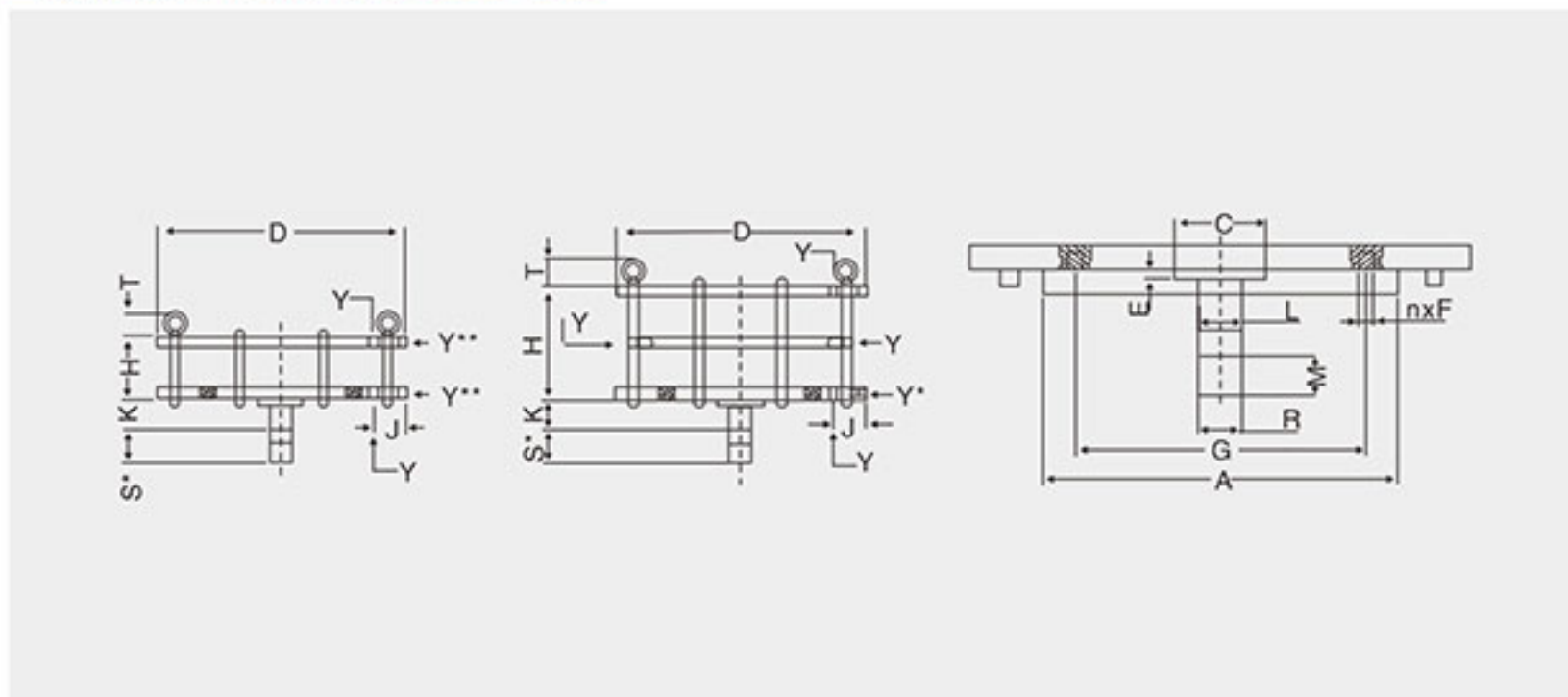
顶装手动机构TM3
Top mounted manual mechanism TM3



侧装手动机构SM
Side loading manual mechanism SM



■ 执行机构外形尺寸 Actuator Size

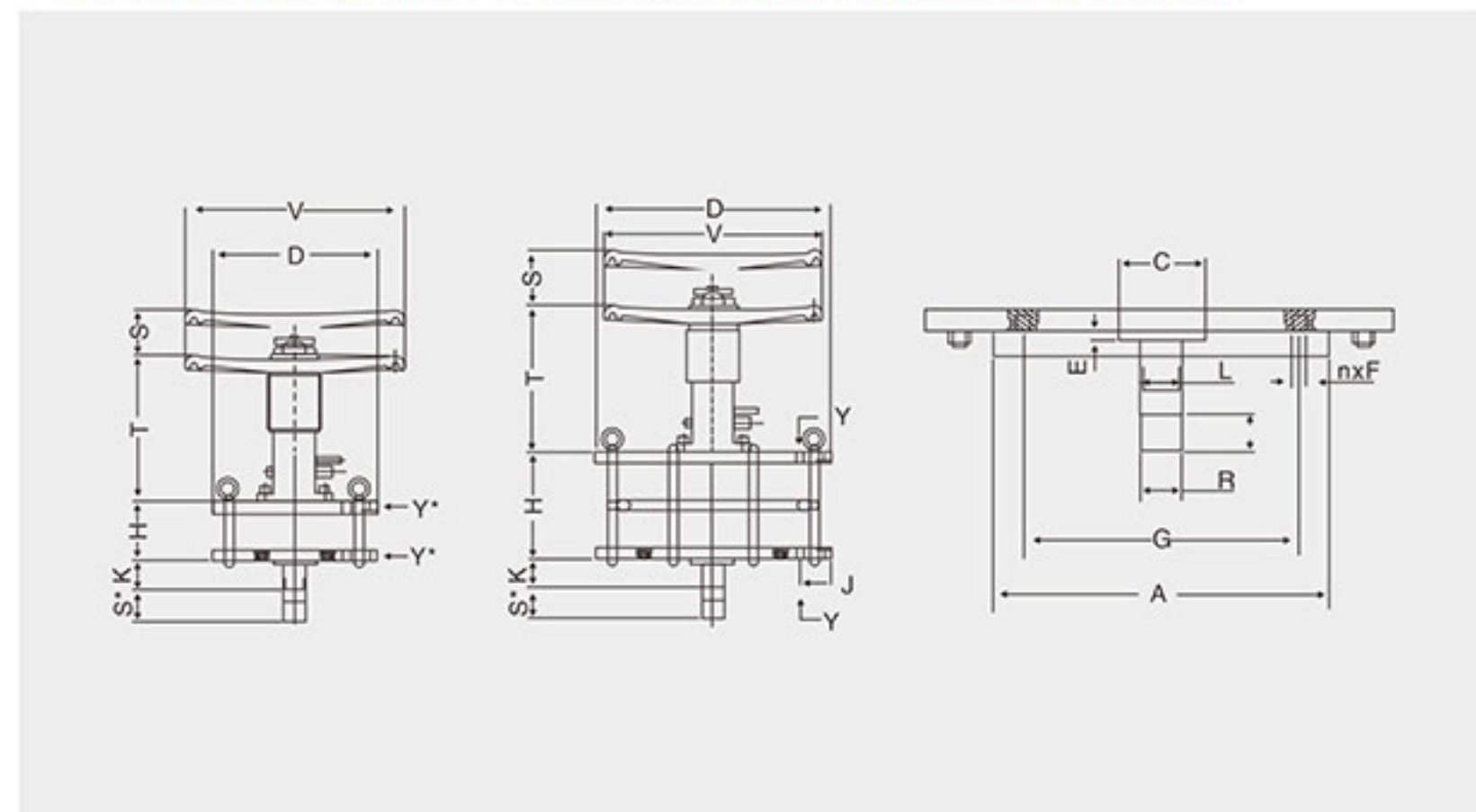


TYPE型号	ΦA	ΦC	ΦD	E	n° xF	ΦG	H	J	K	ΦL	M	R	T	Y
JDZ125DA-1P	90	55	185	3	M8*4	F07	100+S*	/	80	25	30	M22*1.5	35	G1/4
JDZ160DA-1P	125	70	220	3	M10*4	F10	115+S*	/	80	25	30	M22*1.5	35	G1/4
JDZ200DA-1P	125	70	265	3	M10*4	F10	120+S*	/	80	30	35	M24*1.5	35	G1/4
JDZ250DA-1P	150	85	325	4	M12*4	F12	140+S*	/	80	30	35	M27*1.5	35	G3/8
JDZ300DA-1P	150	100	375	4	M12*4	F12	145+S*	65	100	35	40	M32*2	55	G3/8
JDZ350DA-1P	150, 175	100	430	5	M12*4, M16*4	F12/F14	155+S*	65	100	40	45	M36*2	55	G1/2
JDZ400DA-1P	175, 210	130	485	5	M16*4, M20*4	F14/F16	170+S*	70	100	45	50	M42*2	55	G1/2
JDZ450DA-1P	210	130	535	5	M20*4	F16	170+S*	70	100	55	60	M52*2	65	G1/2
JDZ500DA-1P	300	200	605	5	M16*8	F25	180+S*	70	100	60	65	M58*2	65	G1/2
JDZ550DA-1P	300	200	655	5	M16*8	F25	180+S*	70	120	60	65	M58*2	65	G1/2
JDZ600DA-1P	300, 350	200	705	5	M16*8, M20*8	F25/F30	190+S*	75	120	70	75	M68*2	80	G1/2
JDZ650DA-1P	300, 350	200	760	5	M16*8, M20*8	F25/F30	190+S*	75	120	70	75	M68*2	80	G1/2
JDZ700DA-1P	350	200	810	5	M20*8	F30	190+S*	75	120	75	85	M68*2	80	G1/2
JDZ800DA-1P	415	230	915	5	M30*8	F35	200+S*	85	140	80	85	M68*2	80	G3/4
JDZ900DA-1P	415	230	1020	5	M30*8	F35	200+S*	85	140	80	85	M68*2	80	G3/4
JDZ450DA-2P	300	200	535	5	M16*8	F25	230+S*	70	100	55	60	M52*2	65	G1/2
JDZ500DA-2P	350	230	605	5	M20*8	F30	240+S*	70	100	60	65	M58*2	65	G1/2
JDZ550DA-2P	350	230	655	5	M20*8	F30	240+S*	75	120	60	65	M58*2	65	G1/2
JDZ600DA-2P	350	230	705	5	M20*8	F30	250+S*	75	120	70	75	M68*2	80	G1/2
JDZ650DA-2P	350	230	760	5	M20*8	F30	250+S*	75	120	70	75	M68*2	80	G1/2
JDZ700DA-2P	415	230	810	5	M30*8	F35	260+S*	75	120	75	85	M78*2	80	G1/2
JDZ800DA-2P	350, 415	260	915	5	M30*8, M36*8	F35/F40	320+S*	85	140	80	85	M78*2	80	G3/4
JDZ900DA-2P	350, 415	260	1020	5	M30*8, M36*8	F35/F40	350+S*	85	140	80	85	M78*2	80	G3/4

注：以上数据仅供参考，一切以产品实物为准，久鼎自控保留最终解释权。
Note: The above data is for reference only. All products are subject to the product, JIUDING automatic control reserves the right of interpretation.



■ 双作用执行机构—TM1简易顶装手轮机构
Double Acting Mechanism – TM1 Simple Overhead Handwheel Mechanism



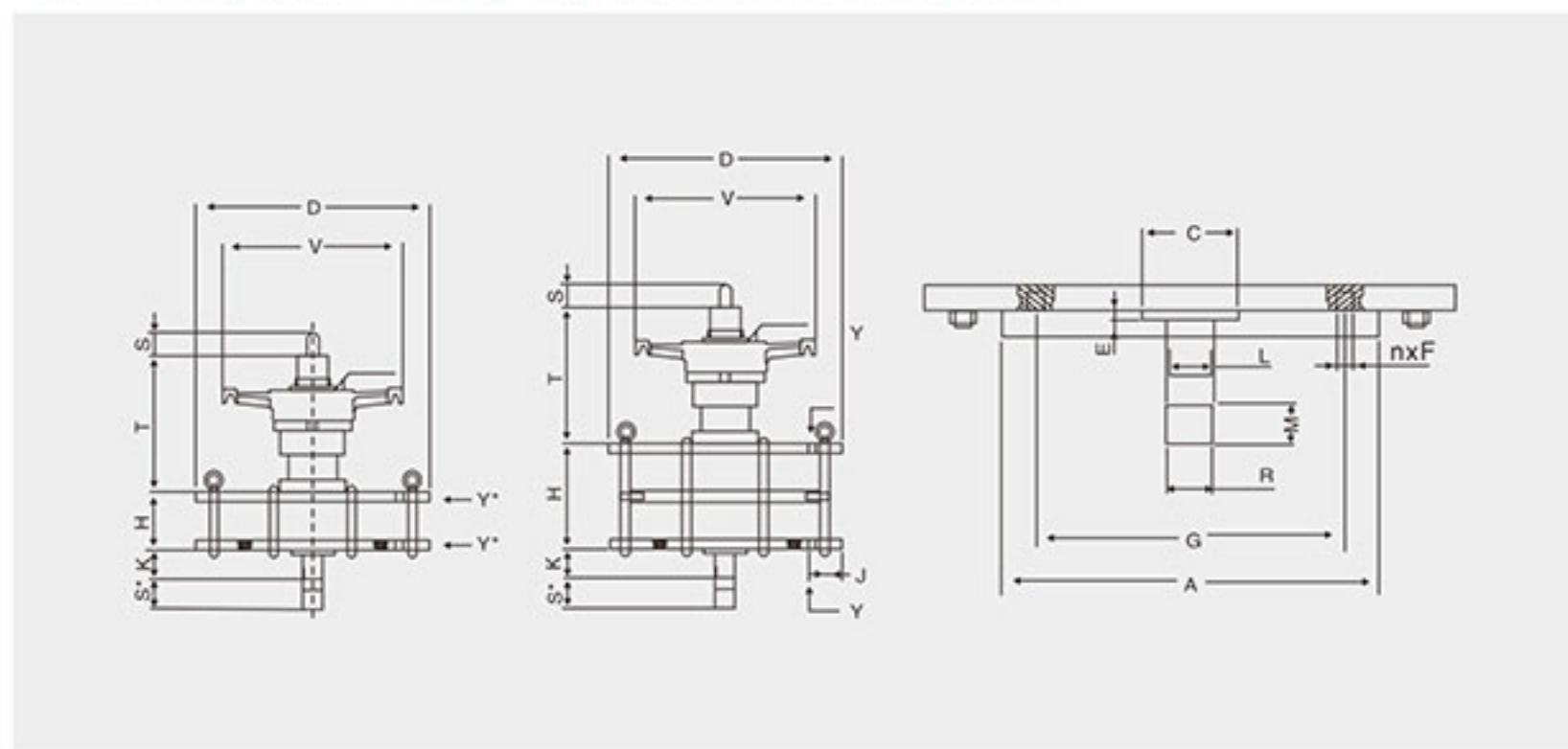
TYPE型号	ΦA	ΦC	ΦD	E	n° xF	ΦG	H	J	K	ΦL	M	R	T	Y	ΦV
JDZ125DA-1P	90	55	185	3	M8*4	F07	100+S*	/	80	25	30	M22*1.5	250+S	G1/4	250
JDZ160DA-1P	125	70	220	3	M10*4	F10	115+S*	/	80	25	30	M22*1.5	250+S	G1/4	250
JDZ200DA-1P	125	70	265	3	M10*4	F10	120+S*	/	80	30	35	M24*1.5	250+S	G1/4	250
JDZ250DA-1P	150	85	325	4	M12*4	F12	140+S*	/	80	30	35	M27*1.5	400+S	G3/8	350
JDZ300DA-1P	150	100	375	4	M12*4	F12	145+S*	65	100	35	40	M32*2	400+S	G3/8	350
JDZ350DA-1P	150, 175	100	430	5	M12*4, M16*4	F12/F14	155+S*	65	100	40	45	M36*2	550+S	G1/2	500
JDZ400DA-1P	175, 210	130	485	5	M16*4, M20*4	F14/F16	170+S*	70	100	45	50	M42*2	550+S	G1/2	500
JDZ450DA-1P	210	130	535	5	M20*4	F16	170+S*	70	100	55	60	M52*2	550+S	G1/2	500

注：以上数据仅供参考，一切以产品实物为准，久鼎自控保留最终解释权。
Note: The above data is for reference only. All products are subject to the product, JIUDING automatic control reserves the right of interpretation.



■ 双作用执行机构-TM2轻型顶装手轮机构

Double Acting Actuator-TM2 Light Top Mounted Handwheel Mechanism



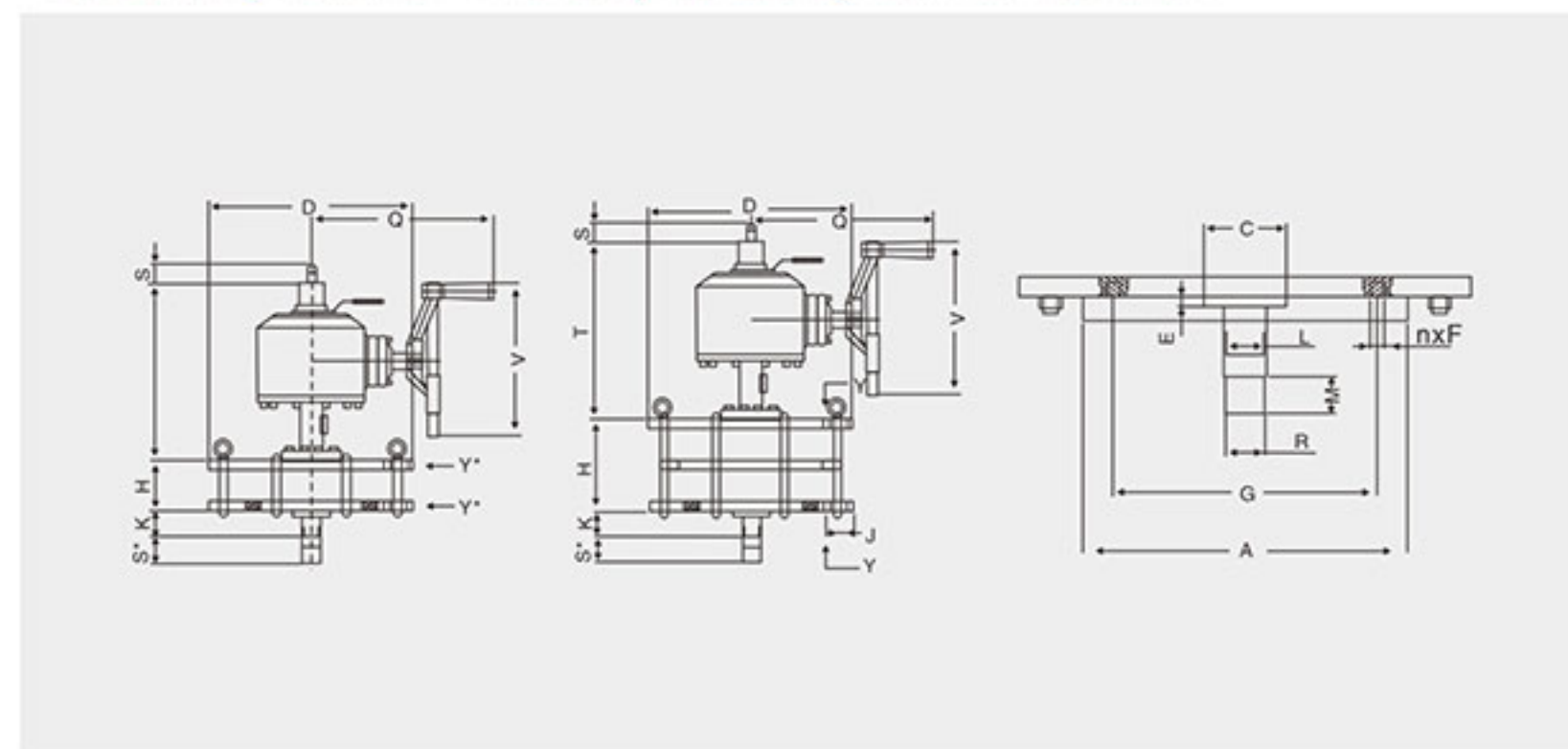
TYPE型号	ΦA	ΦC	ΦD	E	n° xF	ΦG	H	J	K	ΦL	M	R	T	Y	V
JDZ200DA-1P	125	70	265	3	M10*4	F10	120+S*	/	80	30	35	M24*1.5	180+S	G1/4	300
JDZ250DA-1P	150	85	325	4	M12*4	F12	140+S*	/	80	30	35	M27*1.5	180+S	G3/8	300
JDZ300DA-1P	150	100	375	4	M12*4	F12	145+S*	65	100	35	40	M32*2	180+S	G3/8	300
JDZ350DA-1P	150, 175	100	430	5	M12*4, M16*4	F12/F14	155+S*	65	100	40	45	M36*2	200+S	G1/2	450
JDZ400DA-1P	175, 210	130	485	5	M16*4, M20*4	F14/F16	170+S*	70	100	45	50	M42*2	200+S	G1/2	450
JDZ450DA-1P	210	130	535	5	M20*4	F16	170+S*	70	100	55	60	M52*2	250+S	G1/2	450
JDZ500DA-1P	300	200	605	5	M16*8	F25	180+S*	70	100	60	65	M58*2	250+S	G1/2	600
JDZ550DA-1P	300	200	655	5	M16*8	F25	180+S*	70	120	60	65	M58*2	250+S	G1/2	600
JDZ600DA-1P	300, 350	200	705	5	M16*8, M20*8	F25/F30	190+S*	75	120	70	75	M68*2	250+S	G1/2	700
JDZ450DA-2P	300	200	535	5	M16*8	F25	230+S*	70	100	55	60	M52*2	250+S	G1/2	600
JDZ500DA-2P	350	230	605	5	M20*8	F30	240+S*	70	100	60	65	M58*2	250+S	G1/2	700
JDZ550DA-2P	350	230	655	5	M20*8	F30	240+S*	75	120	60	65	M58*2	250+S	G1/2	700

注：以上数据仅供参考，一切以产品实物为准，久鼎自控保留最终解释权。
Note: The above data is for reference only. All products are subject to the product, JIUDING automatic control reserves the right of interpretation.



■ 双作用执行机构-TM3重型顶装手轮机构

Double Acting Mechanism-TM3 Heavy Top Loading Handwheel Mechanism



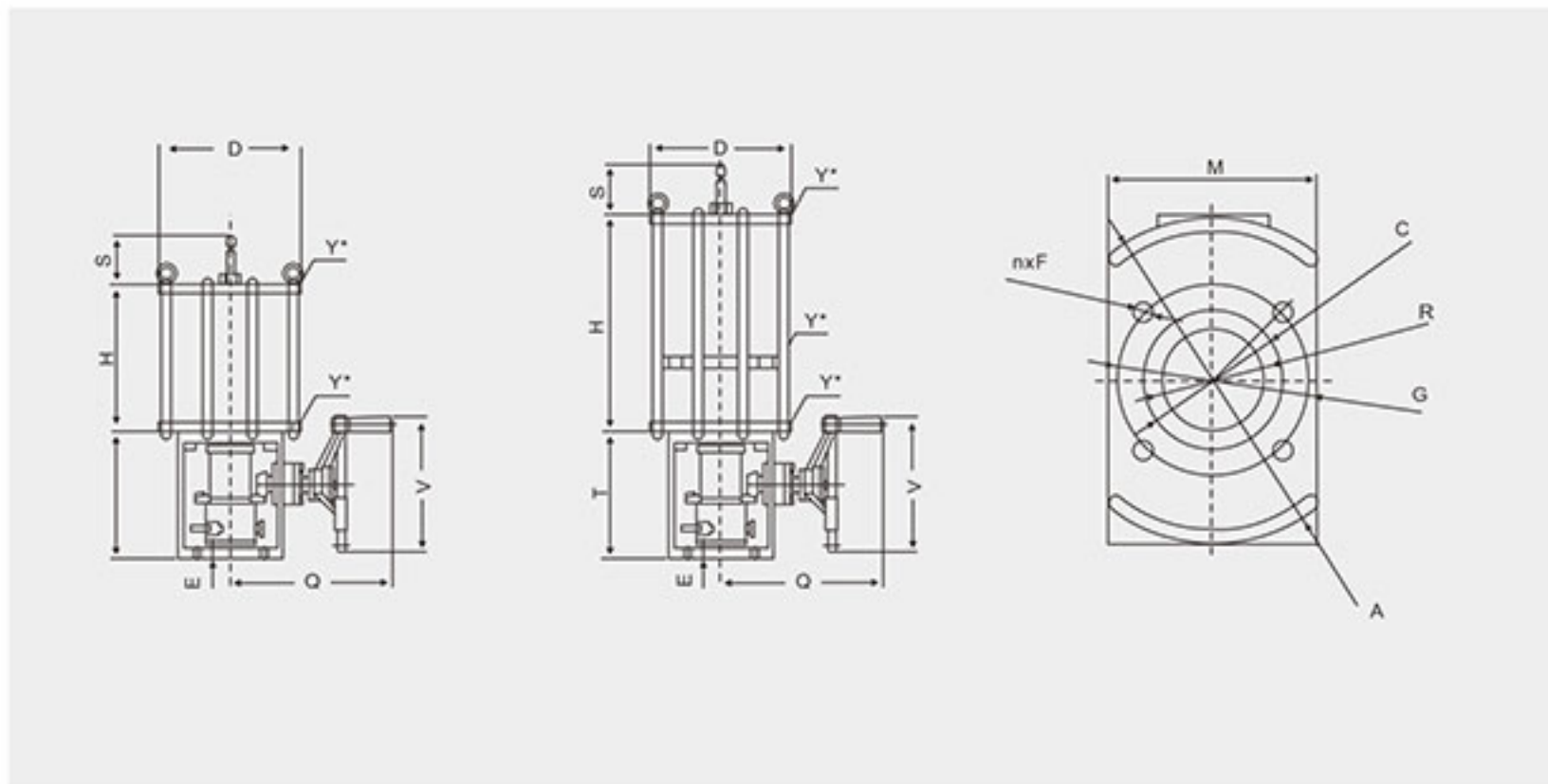
TYPE型号	ΦA	ΦC	ΦD	E	n° xF	ΦG	H	J	K	ΦL	M	R	T	Y	ΦV	Q
JDZ350DA-1P	150, 175	100	430	5	M12*4, M16*4	F12/F14	155+S*	65	100	40	45	M36*2	300+S	G1/2	350	360
JDZ400DA-1P	175, 210	130	485	5	M16*4, M20*4	F14/F16	170+S*	70	100	45	50	M42*2	300+S	G1/2	350	360
JDZ450DA-1P	210	130	535	5	M20*4	F16	170+S*	70	100	55	60	M52*2	300+S	G1/2	350	360
JDZ500DA-1P	300	200	605	5	M16*8	F25	180+S*	70	100	60	65	M58*2	300+S	G1/2	350	360
JDZ550DA-1P	300	200	655	5	M16*8	F25	180+S*	70	120	60	65	M58*2	300+S	G1/2	350	360
JDZ600DA-1P	300, 350	200	705	5	M16*8, M20*8	F25/F30	190+S*	75	120	70	75	M68*2	340+S	G1/2	410	550
JDZ650DA-1P	300, 350	200	760	5	M16*8, M20*8	F25/F30	190+S*	75	120	70	75	M68*2	340+S	G1/2	410	550
JDZ700DA-1P	350	200	810	5	M20*8	F30	190+S*	75	120	75	85	M68*2	395+S	G1/2	500	600
JDZ800DA-1P	415	230	915	5	M30*8	F35	200+S*	85	140	80	85	M68*2	395+S	G3/4	500	600
JDZ900DA-1P	415	230	1020	5	M30*8	F35	200+S*	85	140	80	85	M68*2	395+S	G3/4	500	600
JDZ450DA-2P	300	200	535	5	M16*8	F25	230+S*	70	100	55	60	M52*2	340+S	G1/2	410	550
JDZ500DA-2P	350	230	605	5	M20*8	F30	240+S*	70	100	60	65	M58*2	340+S	G1/2	410	550
JDZ550DA-2P	350	230	655	5	M20*8	F30	240+S*	75	120	60	65	M58*2	340+S	G1/2	410	550
JDZ600DA-2P	350	230	705	5	M20*8	F30	250+S*	75	120	70	75	M68*2	340+S	G1/2	410	550
JDZ650DA-2P	350	230	760	5	M20*8	F30	250+S*	75	120	70	75	M68*2	395+S	G1/2	500	600
JDZ700DA-2P	415	230	810	5	M30*8	F35	260+S*	75	120	75	85	M78*2	395+S	G1/2	500	600
JDZ800DA-2P	350, 415	260	915	5	M30*8, M36*8	F35/F40	320+S*	85	140	80	85	M78*2	395+S	G3/4	500	600
JDZ900DA-2P	350, 415	260	1020	5	M30*8, M36*8	F35/F40	350+S*	85	140	80	85	M78*2	395+S	G3/4	500	600

注：以上数据仅供参考，一切以产品实物为准，久鼎自控保留最终解释权。
Note: The above data is for reference only. All products are subject to the product, JIUDING automatic control reserves the right of interpretation.



■ 双作用执行机构-SM侧装手轮机构

Double Acting Actuator -SM Side Loading Handwheel Mechanism



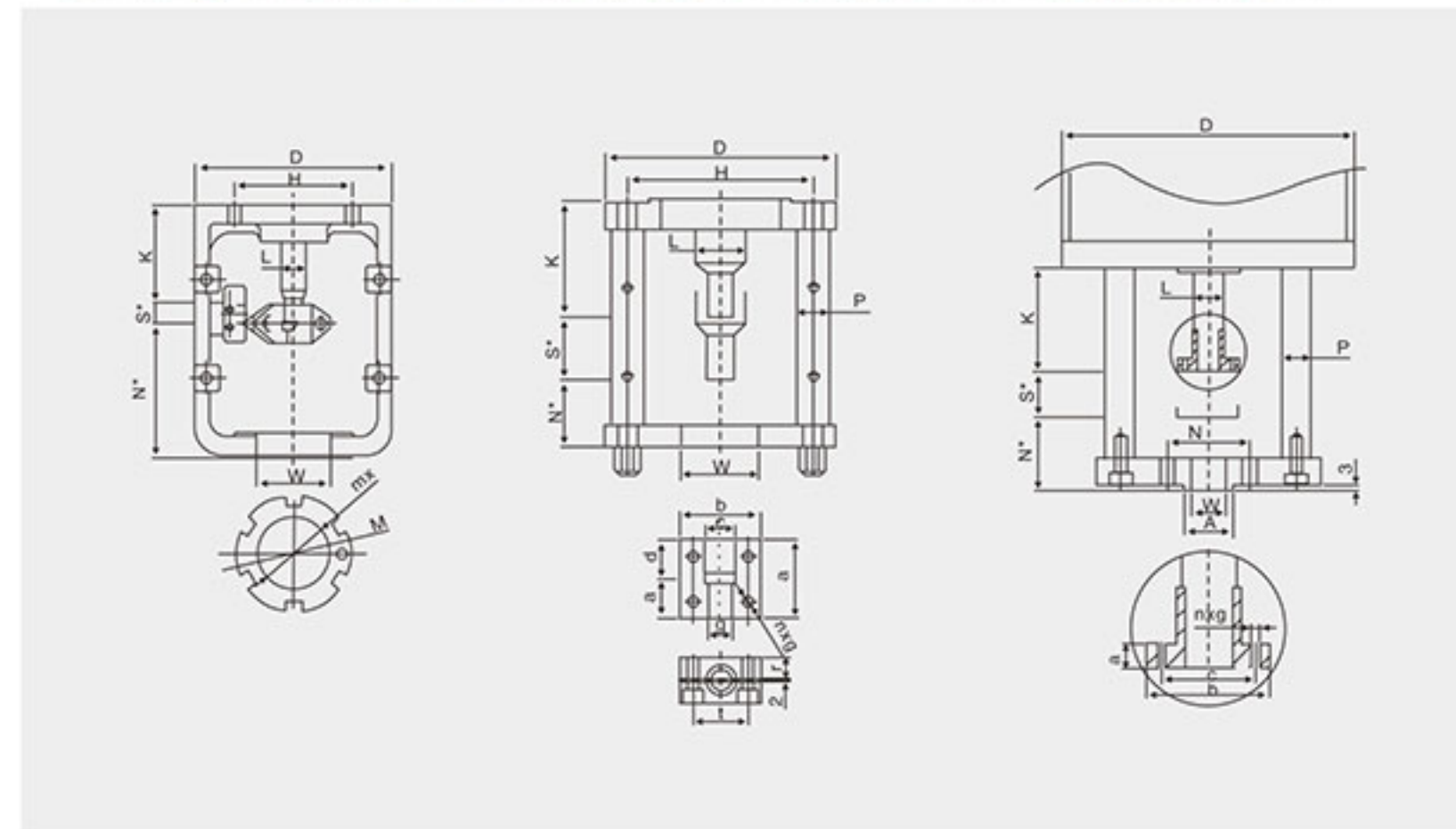
TYPE型号	ΦA	ΦC	ΦD	E	n° xF	H	ΦG	Q	ΦV	M	R	T	Y
JDZ200DA-1P	235	100	265	4	M16*4	120+S	F14	350	350	150	50	305	G1/4
JDZ250DA-1P	235	100	325	4	M16*4	140+S	F14	350	350	150	50	305	G3/8
JDZ300DA-1P	235	100	375	4	M16*4	145+S	F14	350	350	150	50	305	G3/8
JDZ350DA-1P	235	100	430	4	M16*4	155+S	F14	350	350	150	50	305	G1/2
JDZ400DA-1P	320	130	485	5	M20*4	170+S	F16	550	500	190	70	419	G1/2
JDZ450DA-1P	320	130	535	5	M20*4	170+S	F16	550	500	190	70	419	G1/2
JDZ500DA-1P	320	130	605	5	M20*4	180+S	F16	550	500	190	70	419	G1/2
JDZ550DA-1P	320	130	655	5	M20*4	180+S	F16	550	500	190	70	419	G1/2
JDZ600DA-1P	480	230	705	5	M20*8	190+S	F30	580	600	350	100	815	G1/2
JDZ650DA-1P	480	230	760	5	M20*8	190+S	F30	580	600	350	100	815	G1/2
JDZ700DA-1P	480	230	810	5	M20*8	190+S	F30	580	600	350	100	815	G1/2
JDZ800DA-1P	480	230	915	5	M20*8	200+S	F30	580	600	350	100	815	G3/4
JDZ900DA-1P	480	230	1020	5	M20*8	200+S	F30	580	600	350	100	815	G3/4
JDZ450DA-2P	320	130	535	5	M20*4	230+S	F16	550	500	190	70	419	G1/2
JDZ500DA-2P	320	130	605	5	M20*4	240+S	F16	550	500	190	70	419	G1/2
JDZ550DA-2P	320	130	655	5	M20*4	240+S	F16	550	500	190	70	419	G1/2
JDZ600DA-2P	480	230	705	5	M20*8	250+S	F30	580	600	350	100	815	G1/2
JDZ650DA-2P	480	230	760	5	M20*8	250+S	F30	580	600	350	100	815	G1/2
JDZ700DA-2P	480	230	810	5	M20*8	260+S	F30	580	600	350	100	815	G1/2
JDZ800DA-2P	480	230	915	5	M20*8	320+S	F30	580	600	350	100	815	G3/4
JDZ900DA-2P	480	230	1020	5	M20*8	350+S	F30	580	600	350	100	815	G3/4

注：以上数据仅供参考，一切以产品实物为准，久鼎自控保留最终解释权。
Note: The above data is for reference only. All products are subject to the product, JIUDING automatic control reserves the right of interpretation.

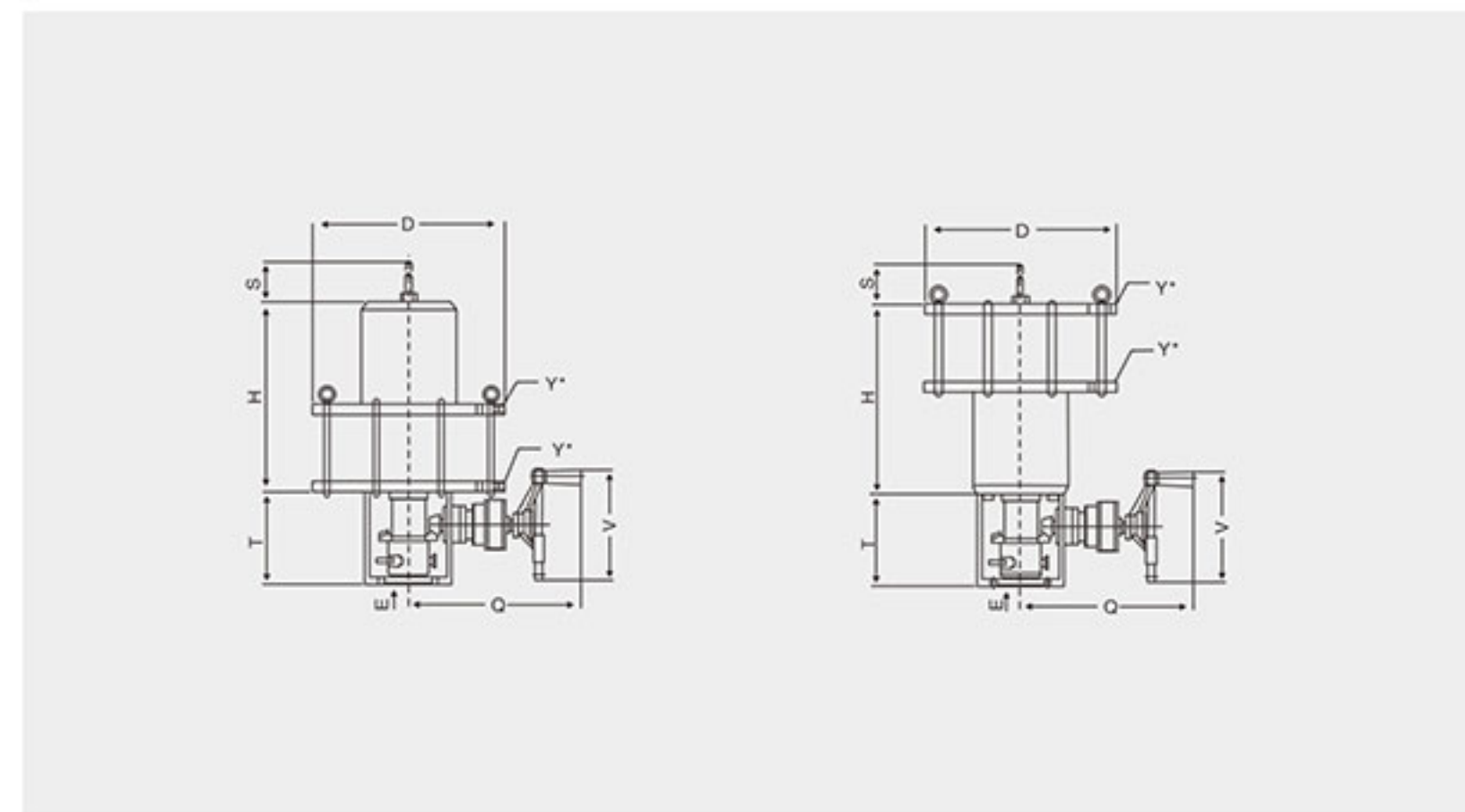


■ 执行器下端盖与支架或立柱连接尺寸

Connecting Dimensions Of The Lower End Cover Of The Actuator With The Support Or Column



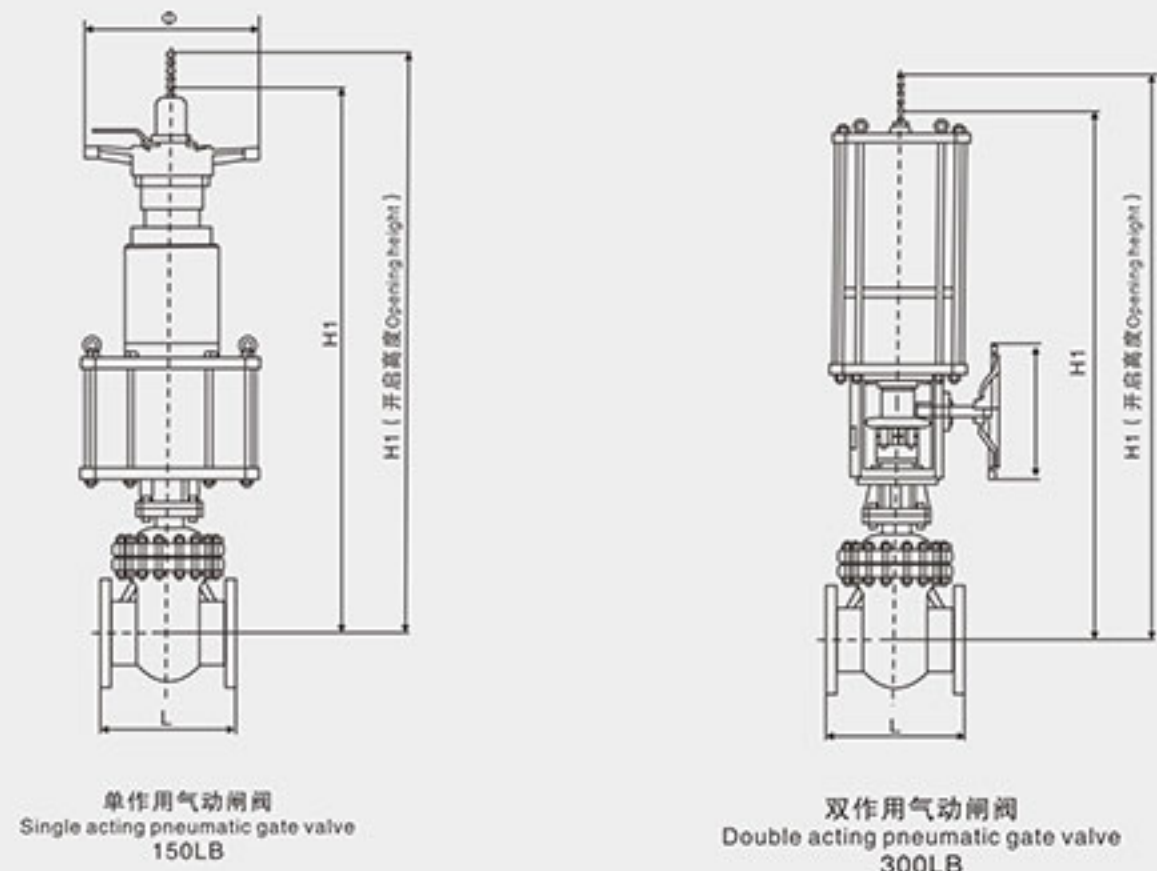
■ 单作用执行机构-带弹簧 Single Acting Actuator-Band Spring



注：单作用执行机构需根据客户所提供数据进行特殊定制。
Note: Single acting actuators need to be customized according to the data provided by the customer.



■ 气动闸阀尺寸 Pneumatic Gate Valve Size



阀门口径 NPS	150Lb								300Lb							
	L		H	H1	H2	H3	Φ	重量 WT (Kg)	RF		H	H1	H2	H3	Φ	重量 WT (Kg)
	RF	RJ							RF	RJ						
1"	130	143	870	895	-	-	180	25	168	181	870	895	-	-	200	30
1-1/2"	168	181	910	950	-	-	180	40	193	206	910	950	-	-	200	40
2"	181	194	905	955	785	835	200	35	219	235	925	985	-	-	250	45
3"	206	219	1060	1140	885	965	250	65	286	301	1185	1265	795	845	300	90
4"	232	244	1225	1325	1055	1155	250	90	308	324	1305	1405	915	995	400	120
5"	257	270	1395	1520	1125	1250	300	152	384	400	1485	1610	1105	1205	400	180
6"	270	282	1525	1675	1245	1395	300	180	406	422	1700	1850	1185	1310	400	220
8"	295	308	1885	2085	1525	1725	400	380	422	438	2055	2255	1310	1460	450	450
10"	333	346	2255	2505	1705	1955	400	500	460	476	2425	2675	1765	1965	450	610
12"	359	371	2435	2735	1935	2235	450	600	505	521	2605	2905	1885	2135	500	880
14"	384	397	-	-	2165	2515	450	880	765	781	-	-	2025	2325	500	1210
16"	409	422	-	-	2335	2735	500	1200	841	857	-	-	2125	2475	550	1650
18"	435	448	-	-	2545	2995	500	1480	917	933	-	-	2405	2805	550	2050
20"	460	473	-	-	2755	3255	550	1875	994	1013	-	-	2545	2995	600	2380
24"	511	524	-	-	3085	3685	550	2500	1146	1168	-	-	2825	3325	650	3020
28"	613	-	-	-	3575	4275	600	3000	1349	1375	-	-	3185	3785	700	3700
32"	663	-	-	-	4175	4975	700	3250	1400	1556	-	-	3595	4295	800	4250
36"	714	-	-	-	4605	5505	800	4800	1730	1759	-	-	4255	5055	900	5860
40"	814	-	-	-	5155	6155	900	6480	-	-	-	-	4715	5615	-	-



■ 气动闸阀尺寸 Pneumatic Gate Valve Size

阀门口径 NPS	600Lb								900Lb							
	L		H	H1	H2	H3	Φ	重量 WT (Kg)	RF		H	H1	H2	H3	Φ	重量 WT (Kg)
	RF	RJ							RF	RJ						
1"	221	221	930	955	-	-	250	45	-	-	-	-	-	-	-	-
1-1/2"	246	246	985	1025	-	-	300	92	-	-	-	-	-	-	-	-
2"	297	300	1060	1110	930	980	350	122	373	376	1265	1315	1060	1110	350	197
3"	361	364	1230	1310	1000	1080	350	158	386	389	1550	1630	1270	1350	400	285
4"	411	440	1420	1520	1080	1180	400	280	462	465	1830	1930	1450	1550	450	460
5"	513	606	1560	1685	1250	1375	400	480	-	-	-	-	-	-	-	-
6"	564	567	1760	1910	1370	1520	450	625	615	618	2060	2210	1760	1910	500	845
8"	665	669	2215	2415	1590	1790	500	1000	742	745	-	-	2040	2240	550	1225
10"	792	796	2670	2920	1940	2190	550	1450	843	846	-	-	2390	2640	550	1625
12"	843	846	-	-	2070	2370	550	1520	970	973	-	-	2560	2850	600	1875
14"	894	897	-	-	2260	2610	600	2040	1034	1043	-	-	2950	3300	650	2400
16"	996	999	-	-	2550	2950	600	2380	1135	1145	-	-	3060	3460	650	2860
18"	1097	1100	-	-	2630	3080	650	2900	1225	1237	-	-	3400	3850	700	3200
20"	1199	1205	-	-	2920	3420	700	3210	1326	1339	-	-	3610	4110	750	3900
24"	1402	1412	-	-	3270	3870	750	4000	1554	1573	-	-	4060	4660	800	4855

注：单作用执行机构需根据客户所提供数据进行特殊定制。
Note: Single acting actuators need to be customized according to the data provided by the customer.

■ 标准参数 Standard Parameter

基本设计 basic design	单活塞、双活塞、多活塞 Single piston, double piston, multi piston 单作用、双作用 Single action and double action
输出力矩 Output torque	单作用型请参见表3, 双作用型请参见表1和表2 For single action, see Table 3. See Table 1 and table 2 for dual action
行程 Stroke	25-1200mm
气源压力 Gas pressure	0.3-0.8MPa(最大1.0MPa) 0.3-0.8MPa (Maximum 1.0MPa)
环境温度 Ambient temperature	标准型 (标配): -20℃~+80℃ Standard type (standard): -20℃~+80℃ 低温型 (选购): -35℃~+80℃ Low temperature type (optional): -35℃~+80℃ 高温型 (选购): -15℃~+150℃ High temperature type (optional): -15℃~+150℃
选配附件 Matching accessories	电磁阀、限位开关、过滤减压阀、定位器、行程开关等 Solenoid valve, limit switch, filter pressure reducing valve, positioner, stroke switch, etc.



■ 双作用-单活塞型执行机构扭矩表(1)

Double Acting - Single Piston Actuator Thrust Table(1)

单位unit: N

型号与规格 Model and specification	0.3Mpa开启和关闭 0.3Mpa open and close	0.4Mpa开启和关闭 0.4Mpa open and close	0.5Mpa开启和关闭 0.5Mpa open and close	0.6Mpa开启和关闭 0.6Mpa open and close
JDZ125DA-1P	3312	4416	5520	6623
JDZ140DA-1P	4154	5539	6924	8308
JDZ160DA-1P	5426	7235	9043	10852
JDZ180DA-1P	6867	9156	11445	13734
JDZ200DA-1P	8478	11304	14130	16956
JDZ220DA-1P	10258	13678	17097	20517
JDZ250DA-1P	13247	17663	22078	26494
JDZ280DA-1P	16617	22156	27695	33234
JDZ300DA-1P	19076	25434	31793	38151
JDZ320DA-1P	21704	28938	36173	43407
JDZ350DA-1P	25964	34619	43273	51928
JDZ380DA-1P	30606	40807	51009	61211
JDZ400DA-1P	33912	45216	56520	67824
JDZ420DA-1P	37388	49851	62313	74776
JDZ450DA-1P	42920	57227	71533	85840
JDZ480DA-1P	48833	65111	81389	97667
JDZ500DA-1P	52988	70650	88313	105975
JDZ520DA-1P	57311	76415	95519	114623
JDZ550DA-1P	64115	85487	106858	128230
JDZ580DA-1P	71300	95067	118833	142600
JDZ600DA-1P	76302	101736	127170	152604
JDZ620DA-1P	81474	108631	135789	162947
JDZ650DA-1P	89549	119399	149248	179098
JDZ680DA-1P	98006	130674	163343	196011
JDZ700DA-1P	103856	138474	173093	207711
JDZ750DA-1P	119222	158963	198703	238444
JDZ800DA-1P	135648	180864	226080	271296
JDZ850DA-1P	153134	204179	255223	306268
JDZ900DA-1P	171680	228906	286133	343359

■ 双作用-双活塞型执行机构扭矩表(2)

Double Acting - Dual Piston Actuator Thrust Table(2)

单位unit: N

型号与规格 Model and specification	0.3Mpa开启和关闭 0.3Mpa open and close	0.4Mpa开启和关闭 0.4Mpa open and close	0.5Mpa开启和关闭 0.5Mpa open and close	0.6Mpa开启和关闭 0.6Mpa open and close
JDZ180DA-2P	13734	18312	22890	27468
JDZ200DA-2P	16956	22608	28260	33912
JDZ220DA-2P	20516	27356	34194	41034
JDZ250DA-2P	26494	35326	44156	52988
JDZ280DA-2P	23234	44312	55390	66468
JDZ300DA-2P	37152	50868	63586	76302
JDZ320DA-2P	43408	57876	72346	86814
JDZ350DA-2P	51928	69238	86546	103856
JDZ380DA-2P	61212	81614	102018	122422
JDZ400DA-2P	67824	90432	113040	135648
JDZ420DA-2P	74776	99702	124626	149552
JDZ450DA-2P	85840	114454	143066	171680
JDZ480DA-2P	97666	130222	162778	195334
JDZ500DA-2P	105976	141300	176626	211950
JDZ520DA-2P	114622	152830	191038	229246
JDZ550DA-2P	128230	170974	213716	256460
JDZ580DA-2P	142600	190134	237666	285200
JDZ600DA-2P	152604	203472	254340	305208
JDZ620DA-2P	162948	217262	271578	325894
JDZ650DA-2P	179098	238798	298496	358196
JDZ680DA-2P	196012	261348	326686	392022
JDZ700DA-2P	207712	276948	346186	415422
JDZ750DA-2P	238444	317926	397406	476888
JDZ800DA-2P	271296	361728	452160	542592
JDZ850DA-2P	306268	408358	510446	612536
JDZ900DA-2P	343360	457812	572266	686718



■ 单作用-单活塞型执行机构推力表(3)
Single Acting - Single Piston Actuator Thrust Table(3)

单位unit: N

型号与规格 Model and specification	0.3Mpa		0.4Mpa		0.5Mpa		0.6Mpa	
	气源最大力 The maximum air force	弹簧最小力 Spring force	气源最大力 The maximum air force	弹簧最小力 Spring force	气源最大力 The maximum air force	弹簧最小力 Spring force	气源最大力 The maximum air force	弹簧最小力 Spring force
JDZ125SR-1P	2150	1162	2866	1549	3583	1937	4299	2324
JDZ140SR-1P	2697	1458	3595	1943	4494	2429	5393	2915
JDZ160SR-1P	3522	1904	4696	2538	5870	3173	7044	3808
JDZ180SR-1P	4458	2410	5944	3213	7429	4016	8915	4819
JDZ200SR-1P	5503	2975	7338	3966	9172	4958	11007	5949
JDZ220SR-1P	6659	3599	8879	4799	11098	5999	13318	7199
JDZ250SR-1P	8599	4648	11465	6197	14331	7747	17198	9296
JDZ280SR-1P	10786	5830	14382	7774	17977	9717	21573	11661
JDZ300SR-1P	12382	6693	16510	8924	20637	11155	24765	13386
JDZ320SR-1P	14088	7615	18784	10154	23481	12692	28177	15231
JDZ350SR-1P	16854	9110	22472	12147	28090	15184	33707	18220
JDZ380SR-1P	19867	10739	26489	14318	33111	17898	39734	21478
JDZ400SR-1P	22013	11899	29351	15865	36688	19832	44026	23798
JDZ420SR-1P	24269	13119	32359	17491	40449	21864	48539	26237
JDZ450SR-1P	27860	15060	37147	20079	46434	25099	55721	30119
JDZ480SR-1P	31699	17134	42265	22846	52831	28557	63398	34269
JDZ500SR-1P	34395	18592	45861	24789	57326	30987	68791	37184
JDZ520SR-1P	37202	20109	49603	26812	62003	33515	74404	40218
JDZ550SR-1P	41618	22496	55491	29995	69364	37494	83237	44993
JDZ580SR-1P	46282	25018	61710	33357	77137	41696	92565	50035
JDZ600SR-1P	49529	26773	66039	35697	82549	44621	99059	53545
JDZ620SR-1P	52886	28587	70515	38116	88144	47645	105773	57174
JDZ650SR-1P	58128	31421	77504	41894	96880	52368	116256	62841
JDZ680SR-1P	63618	34388	84824	45851	106030	57313	127235	68776
JDZ700SR-1P	67415	36441	89887	48587	112358	60734	134830	72881
JDZ750SR-1P	77390	41832	103186	55776	128983	69720	154779	83664
JDZ800SR-1P	88052	47596	117403	63461	146754	79326	176104	95192
JDZ850SR-1P	99403	53731	132537	71642	165671	89552	198805	107462
JDZ900SR-1P	111441	60238	148588	80318	185735	100397	222882	120477

注：以上数据仅供参考，一切以产品实物为准，久鼎自控保留最终解释权。
Note: The above data is for reference only. All products are subject to the product. JIUDING automatic control reserves the right of interpretation.

■ 订货型号表 Order Type Table

JDZ系列-客户选型表 JDZ series customer selection form												
范例 Example	JDZ	300	DA	-	2P	-	100	-	FO	-	TM3	JDZ系列，双作用气缸，内径300mm，双活塞联动，执行器行程100mm。故障位置开，配重型顶装手动机构。 JDZ series, double acting cylinder, inner diameter 300 mm, double livePug linkage, actuator travel 100mm. fault location open, Heavy duty top mounted manual mechanism.
系列 series	JDZ	线性大推力气动执行器 Linear large thrust pneumatic actuator										
缸体尺寸 Cylinder size	300	缸径125mm - 900mm Bore 125mm - 900mm										
作用形式 Action form	DA	-	双作用 Double action									
	SR	-	单作用 Single action									
活塞数量 Piston number	单活塞运动 Single piston motion											
	1P	-	双活塞联动 Double piston linkage									
	2P	-	三活塞联动 Three piston linkage									
标准行程 Standard stroke	3P	-	100	-	详细请联系久鼎自控的技术人员 Please contact with the technical staff of the JIUDING automatic control							
故障位置 Fault location	FL	-	双作用，故障位置锁止 Double action, fault position locking									
	FO	-	带弹簧，故障位置开 With spring, the fault position is open									
	FC	-	带弹簧，故障位置关 With spring, the fault position is off									
	CO	-	配储气罐，故障位置开 Equipped with gas storage tank, the fault location is open									
	CC	-	配储气罐，故障位置关 Equipped with gas storage tank, the fault position is off									
手动部分 Manual part	TM1	简易顶装手动 Simple top mounting manual										
	TM2	轻型顶装手动 Light top mounted manual										
	TM3	重型顶装手动 Heavy top mounted manual										
	SM1	轻型侧装手动 Light side mounting manual										
	SM2	重型侧装手动 Heavy side loading manual										
	SM3	重型侧装手动，带减速机构 Heavy side loading manual and deceleration mechanism										
HD	液压手动 Hydraulic manual											



■ 订货须知 Order Notice

JDZ系列阀门气动执行机构是复杂的自动化控制仪表，出气执行器、阀门及多种气动元件、附件组成，用户可根据现场控制需要，请详细选择各部件，并在技术合同上标示。

JDZ series valve pneumatic actuators are complex automation control instrument, the pneumatic actuators, valves and various of pneumatic components and accessories, the user can according to the needs of field control, please select parts in detail, and indicated on the technical contract.

1、气动执行器 Pneumatic actuator:

气源压力、作用方式、气缸推力、全行程时间、连接支架、手动机构；

Gas pressure, mode of action, cylinder thrust, full travel time, connecting bracket, manual mechanism;

2、阀门 Valve:

规格型号、公称压力、公称口径、阀门推力、流通介质、实际工作压力、使用温度、安装位置；

Specifications, nominal pressure, nominal diameter, valve thrust, circulation medium, actual working pressure, service temperature and installation position;

3、过滤减压阀 Filter pressure reducing valve:

品牌和型号、油雾器、自动排水、使用温度、阀体和压力表材质、气源接口尺寸；

Brand and model, oil mist, automatic drainage, use temperature, material of valve body and pressure gauge, air source interface dimension;

4、电磁阀 Solenoid valve:

品牌和型号、双作用或单作用、单电控或双电控、二位三通或二位五通、电压、功率、防护等级、防爆等级、电气接口尺寸、气源接口尺寸、使用温度、手动操作；

Brand and model, double action or single action, single electronic control or double electric control, two position three pass or two bit five pass, voltage, power, protection grade, explosion proof grade, electrical interface size, air source interface size, operating temperature, manual operation;

5、行程开关 Travel switch:

品牌和型号、机械或接近式、DPDT或SPDT或P&F、防护等级、防爆等级、电气接口尺寸、附件材质；

Brand and model, machinery or proximity, DPDT or SPDT or P&F, protection grade, explosion-proof grade, electrical interface size, accessories material;

6、定位器 Locator:

品牌和型号、双作用或单作用、防护等级、防爆等级、输入信号、输出信号、反馈信号、反馈支架、HART模块、LED显示、使用温度、附件材质；

Brand and model, double action or single function, protection grade, explosion-proof grade, input signal, output signal, feedback signal, feedback bracket, HART module, LED display, use temperature, accessories material;

7、其他附件 Other accessories:

气控阀、单向阀、快排阀、调速阀、锁止阀、增速放大器等；

Pneumatic control valve, check valve, fast exhaust valve, speed control valve, lock valve, amplifier and so on;

8、特殊要求 Special requirements:

材质、油漆、接口尺寸、安装空间等，请联系久鼎自控销售代表。

Material, paint, interface size, installation space and so on, please contact JIUDING automatic control sales representative.

■ 特殊规格 Special Specification

如有特殊需求，请联系久鼎自控销售代表，公司可为客户进行专业设计并制造；

If there is any special requirement, please contact JIUDING automatic control sales representative. The company can design and manufacture the professional products for customers.

○ 特殊检查：流量特性检查、材料检查、低温试验、蒸汽试验、非破坏性检查、放射性检查

Special inspection: flow characteristics inspection, material inspection, Low temperature test, steam test, non destructive inspection, Radioactivity examination

○ 完全除油、除水处理 Complete oil removal and water treatment

○ 取得高压气体法定资格 Obtaining qualification of high pressure gas law

○ 防砂、防尘型 Sand control and dustproof type

○ 防腐蚀型 Anticorrosion type

○ 寒冷地区 Cold area

○ 热带地区 Tropical area

○ 无铜处理 Copper free treatment

○ 特殊空气配管和特殊接头 Special air piping special joints

○ 真空工作条件用 Vacuum working conditions

○ 接触大气部分用不锈钢螺栓、螺母 Contact with the atmosphere stainless steel bolts and nuts

○ 定制涂层色 Customized coating color

○ 特殊材质 Special material

○ 安装空间、接口尺寸 Installation space and interface size



■ 安装与使用 Installation And Use

○ 气执行器在出厂时已经经过必要的性能测试，且按订单要求进行了整定，用户一般可直接安装使用，底部安装孔设计符合ISO5211标准，可以直接安装支架；

○ 打开包装箱后要检查产品是否有意外损坏，所配零件是否齐全，特别是经过长时间存放后的产品要全面维护后才可以安装并使用；

○ 执行器与阀门安装前应对型号规格，是否与阀门所需推力的要求相符合；

○ 检查执行器与阀门连接的支架法兰尺寸是否相符，安装空间是否充足；

○ 如选用气/手动切换机构，执行器安装后，应对切换机构工作状态是否与实际相符，防止误操作。带手动操作机构的阀门在弹簧复位（关闭阀门）或是气动开启（关闭）阀门过程中，任何一个开度都不能使用“气动-手动”切换；

○ 如选用气库切换机构，使用手轮操作前，先将气缸内的残余气体通过电磁阀（或控制元件）排空（在气缸内有残余气体的情况下），手动操作确认无误后再进行气动试用检查；

○ 如选用气/手动切换机构，使用手轮操作时，不得用力过大，且不可使用外力工具作用在手动机构上。

1. The pneumatic actuator has passed the necessary performance test at the factory, and has been adjusted according to the order requirements. The user can be installed and used directly. The bottom mounting hole design conforms to the ISO5211 standard, and the bracket can be directly installed;

2. After opening the packaging box to check whether the product has accidental damage, the parts are complete, especially after long storage of products to be fully maintained before installation and use;

3. The actuator and valve should be checked before the installation of model specifications, whether the valve required thrust requirements in line with;

4. Check the actuator and valve connection bracket flange size is consistent, installation space is sufficient;

5. If the pneumatic / manual switching mechanism is adopted, after the actuator is installed, the working state of the switching mechanism should be checked whether it is consistent with the actual situation, so as to prevent misoperation. The valve with manual operating mechanism can not use "pneumatic one hand" switch in the process of spring reset (closing valve) or pneumatic opening (closing) valve;

6. Such as the selection of gas that the dynamic switching mechanism, using the handwheel before operation, the residual gas in the cylinder through the electromagnetic valve (or control element) (emptying residual gas within the cylinder case), manual operation after confirmation of pneumatic check trial;

7. If the pneumatic / manual switching mechanism is used, the handwheel can not be forced too large, and the external force tool can not be used on the manual mechanism.

■ 维护和保养 Maintenance and Repair

○ 要保证整个气动仪表控制系统处于正常工作状态，需每月检验气动执行机构应不少于一次，每年检修一次，保持执行机构外表清洁、无粉尘堆积、无油污沾染；

○ 要保证执行机构密封良好，各密封面、点应完整牢固、严密无损；

○ 定期检查气缸和空气管系的各部位，定期检查各管接着部分有无漏气，保持气源压力正常，气管不允许有凹陷，保持畅通；

○ 检修时，应检查并清洗缸套及活塞，如发现O型圈密封有损伤或老化时应及时更换，装配时应在水缸壁和密封圈沟槽内涂润滑油，并注意缓慢将活塞推入气缸，以免损坏O型密封圈；

○ 对带有气/手动切换装置的成套气动阀门，手动操作机构应润滑良好，启闭灵活，对切换轴上的轴承等传动部位每三个月或半年加一次足够的润滑油脂；

○ 气源压力应在0.3-0.8Mpa(G)范围内，气源应经除尘、脱水等净化处理。定期对执行器配套的空气过滤器进行放水、排污，以免进入电磁阀和执行器，影响正常工作；

○ 电气部分的信号应无缺相、短路、断路故障，外壳防护接头连接应紧密、严密，防止水与灰尘的侵蚀；

○ 填料压盖不允许歪斜，避免对阀杆部位摩擦而咬死，造成执行器不灵或不能正常工作。

1. To ensure that the entire pneumatic instrument control system is in normal working condition, need to check the pneumatic actuator every month should not less than once, overhaul once a year, keep the executive body clean, no dust accumulation, no oil pollution;

2. To ensure the implementation of the seal is good, the sealing surface, points should be intact, solid, tight and lossless;

3. Regularly check the cylinder and air piping system parts, regular inspection of each pipe, and then part of the leak, keep the gas pressure normal, trachea is not allowed to sag, keep smooth;

4. Overhaul, should check and clean the cylinder liner and piston, if found O ring seal damage or aging should be replaced in time, assembly should be in the cylinder wall and sealing groove coated with lubricating oil, and pay attention to slowly push the piston cylinder, so as not to damage the O type sealing ring;

5. Complete pneumatic valve with pneumatic / manual switching device, the manual operating mechanism should be well lubricated, open and close flexible, the switch shaft bearings and other transmission parts every three months or six months plus enough lubrication grease;

6. The gas pressure should be in the range of 0.3-0.8Mpa (G), the gas source should be treated by dust removal, dehydration and other purification. Regularly carry out the air filter for the actuator to drain, drain, so as not to enter the solenoid valve and actuator, affecting the normal work;

7. The electrical part of the signal should be no phase, short circuit, open circuit fault, enclosure protection joints should be tight, tight, to prevent water and dust erosion;

8. The packing gland is not allowed to skew, to avoid friction on the stem and bite, resulting in the actuator is not working or not work properly.



■ 常见故障和排除方法 Common Faults And Troubleshooting Methods

故障现象 Fault phenomenon	检查项目 Inspection items	排除方法 Elimination method
阀门不动作 Valve not action	电磁阀是否正常、线圈是否烧坏、电磁阀芯是否被脏物卡死 Whether the solenoid valve is normal, the coil is burned, whether the electromagnetic valve stuck by dirt	更换电磁阀、更换线圈、清除脏物 Replace the solenoid valve, replace the coil, remove dirt
	对执行器单独供气, 是否正常工作, 如气缸串气不正常, 拆开执行器检查密封件是否损坏, 气缸内表面是否损坏 The actuator alone supply is normal, if not normal cylinder leakage, Disassemble the actuator to check if the seal is damaged, and whether the inner surface of the cylinder is damaged	更换已坏密封圈, 更换气缸 Replace the broken seal ring and replace the cylinder
	阀内有杂质将球芯卡住 The valve has impurities to hold the ball core	清除杂质更换阀件 Remove impurities and replace valve parts
	手动操作机构的手柄处在手动位置 The handle of the hand operated mechanism is in the manual position	将手柄扳到自动位置 Pull the handle to the automatic position
阀门动作迟缓运行 Slow operation of valve	气源压力不够 Insufficient gas pressure	增加气源压力 Increase gas pressure
	气动执行器推力过小 The thrust of pneumatic actuator is too small	增大执行器型号规格 Increase actuator type specification
	阀门阀芯或其它阀件装配太紧不合理 Valve spool or other valve assembly too tight unreasonable	修理装配, 调整推力 Repair, assemble, adjust thrust
回讯器无信号 Back to the hearing of no signal	气源管路堵塞流量过小 The blockage of gas pipeline is too small	排除堵塞 Exclude blockage
	信号电源线路、短路、断路 Signal power line, short circuit, open circuit	维修电源线路 Maintenance power line
	凹轮位置不准确 The position of concave wheel is inaccurate	调整凹轮至正确位置 Adjust the concave wheel to the correct position
	微动开关损坏 Fretting switch damage	更换微动开关 Replacing microswitch

■ 售后服务 After-sale Service

本公司产品从出厂之日起一年内实行“三包”，如客户在订货检验、使用过程中需要技术咨询或故障处理，请与我公司销售部及售后服务联系，我们将以最快的速度为您排忧解难，满足您的要求！

The company's products from the date of departure within one year to implement the "three package", such as customer order inspection, the use of the process of technical advice or troubleshooting, please with our company sales department and after-sales service contact, we will be the fastest speed for you to solve problems, to meet your requirements!